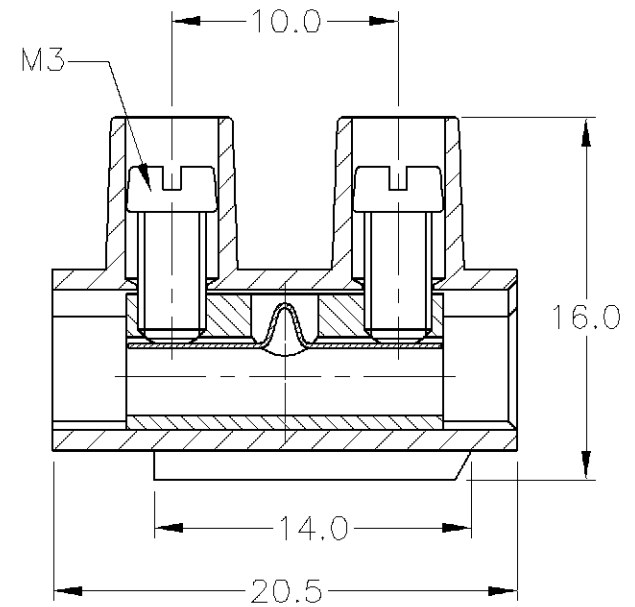
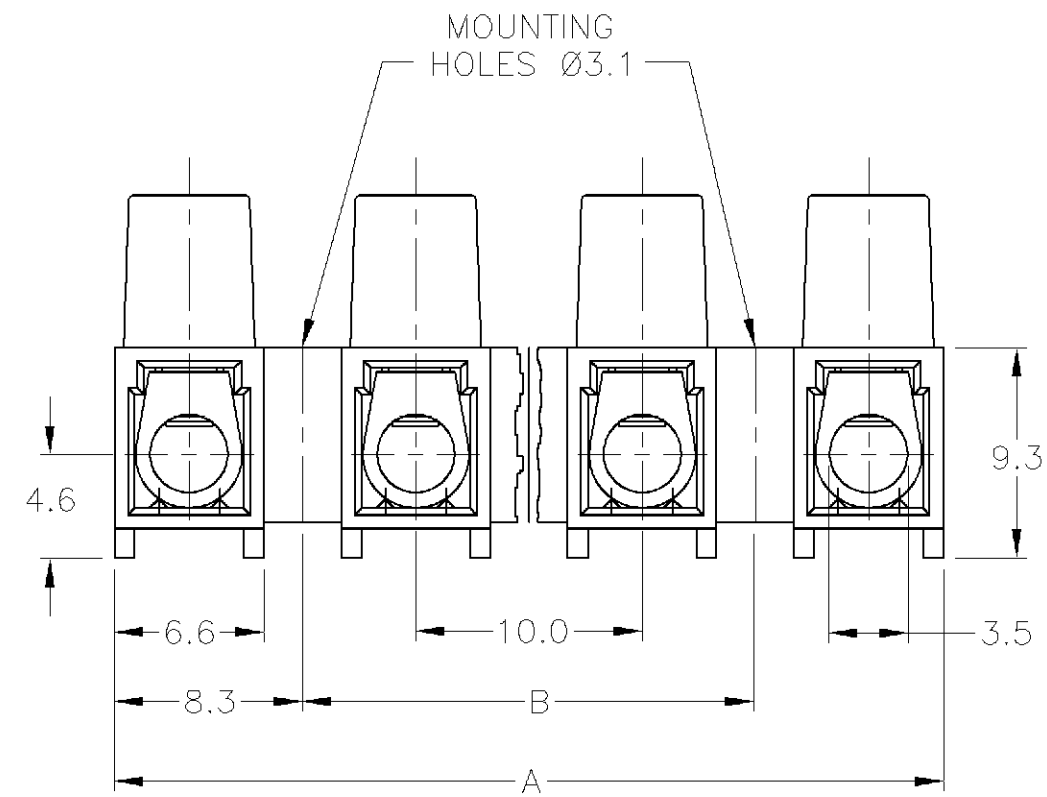


THIS DRAWING IS UNPUBLISHED. RELEASED FOR PUBLICATION
 © COPYRIGHT BY TYCO ELECTRONICS CORPORATION. ALL RIGHTS RESERVED.

LOC	DIST	REVISIONS			
P	LTR	DESCRIPTION	DATE	DWN	APVD
FT	0	A	REVISED PER 0G3B-0043-02	23JAN02	EZ DB

NOTE

- MATERIAL
HOUSING - POLYIMIDE 6 UL94V-2
COLOR - NATURAL(OFF WHITE)
- CURRENT RATING: 30A, 250V
10-22 AWG



DIM B	DIM A	T & B PART NUMBER	TYCO PART NUMBER
100	116.6	TSB500 1231DS	2-1437388-4
90	106.6	TSB500 1131DS	796613-2
80	96.6	TSB500 1031DS	2-1437388-2
70	86.6	TSB500 0931DS	2-1437388-0
60	76.6	TSB500 0831DS	1-1437388-8
50	66.6	TSB500 0731DS	1-1437388-6
40	56.6	TSB500 0631DS	1-1437388-5
30	46.6	TSB500 0531DS	1-1437388-2
20	36.6	TSB500 0431DS	1-1437388-1
10	26.6	TSB500 0331DS	1437388-9
-	16.6	TSB500 0213DS	1437388-7
-	6.6	TSB500 0131DS	796613-1

THIS DRAWING IS A CONTROLLED DOCUMENT.		DWN E. ZANOLINI 25JAN2002	BUCHANAN Tyco Electronics Corporation Harrisburg, PA 17105-3608		
DIMENSIONS: MM		CHK E. ZANOLINI 23JAN02			
TOLERANCES UNLESS OTHERWISE SPECIFIED:		APVD D. BIEVENOUR 23JAN02	NAME EUROPA TERMINAL BLOCK W/WIRE PROTECTOR MOUNTING HOLES Ø 3.1, 10mm PITCH		
0 PLC ± - 1 PLC ± .3 2 PLC ± .25 3 PLC ± - 4 PLC ± - ANGLES ± 2		PRODUCT SPEC -	SIZE A3		
MATERIAL -		APPLICATION SPEC -	CAGE CODE 00779	DRAWING NO C-796613	RESTRICTED TO -
FINISH -		WEIGHT -	SCALE 1:1 SHEET 1 OF 1 REV A		
CUSTOMER DRAWING					